



**DESIGN  
TO INNOVATE**

Our chains are used  
in **many areas**  
due to the **wide range**  
of **products** and the  
**possibility to customise**  
them for your every need



MYTE0000004 - © COPYRIGHT BREVETTI STENDALTO - 2016 - EN

**brevetti  
stendalto**

**brevetti  
stendalto**  
DYNAMIC CABLE PROTECTION

**Brevetti Stendalto S.p.A.**  
20900 Monza  
**Viale Giovanni Battista Stucchi 66/8**  
Tel. +39 039 20.49.01  
Fax +39 039 83.42.50  
E-mail: info@brevettistendalto.it

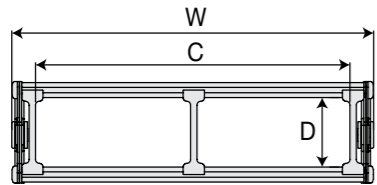
[WWW.BREVETTISTENDALTO.COM](http://WWW.BREVETTISTENDALTO.COM)

**STEEL**  
Light



# SIMPLE BUT ALWAYS **STRONG**

Brevetti Stendalto is proud to announce the development of the “L” series steel chains. Fully designed by the internal R&D team, **these chains are particularly robust, and different from previous versions due to a considerable decrease in weight and components.** These changes have been introduced without prejudice to the self-supporting capacity and the long-term reliability of the chains. They can be fitted with **special skids which allow smooth and precise sliding, making them an optimal solution for long-stroke applications.** The “L” series chains meet the most demanding requirements in terms of internal capacity, load strength, and ability to perform under the most challenging environmental conditions.

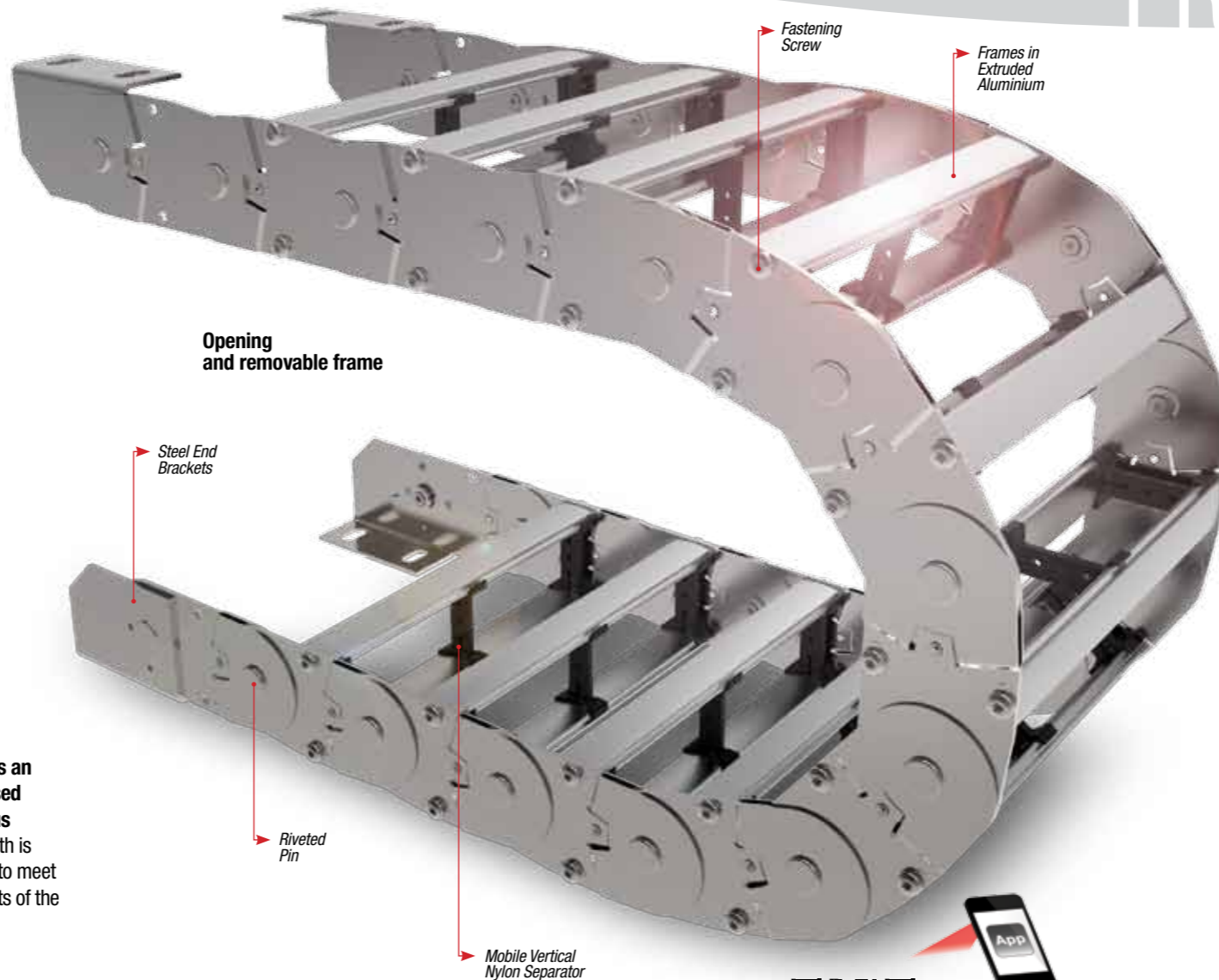


| TYPE              | W          |          | C          |          | D<br>mm | Pitch<br>mm | Radius     |          |
|-------------------|------------|----------|------------|----------|---------|-------------|------------|----------|
|                   | from<br>mm | to<br>mm | from<br>mm | to<br>mm |         |             | from<br>mm | to<br>mm |
| <b>20LT-LB-LC</b> | 111        | 336      | 79         | 304      | 32      | 75          | 75         | 305      |
| <b>30LT-LB-LC</b> | 140        | 540      | 106        | 506      | 52      | 95          | 150        | 535      |
| <b>35LT-LB-LC</b> | 148        | 548      | 104        | 504      | 65      | 125         | 200        | 600      |
| <b>40LT-LB-LC</b> | 208        | 558      | 150        | 500      | 112,5   | 180         | 250        | 850      |

The “L” series is available as an open chain, or totally enclosed for applications in hazardous environments. The chain width is fully customisable to meet the requirements of the customer.

# SELF-SUPPORTING

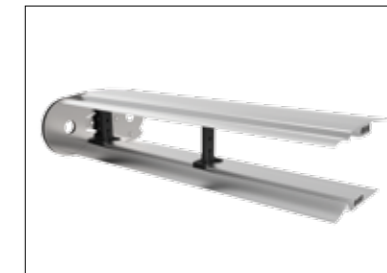
# DYNAMIC CABLE PROTECTION



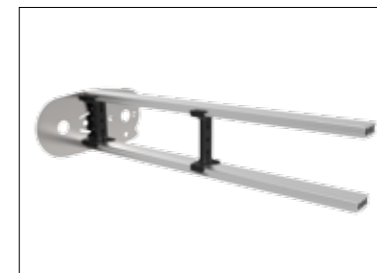
The “L” series is available in four versions and offering several configurations: open with steel rods, fully enclosed with aluminium covers, aluminium drawplates and customised crosspieces. Thanks to many types of spacers and separators, Brevetti Stendalto offers endless possibilities to customise the interior layout.



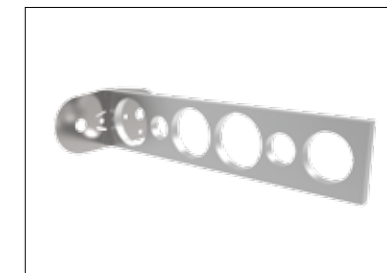
VERSION WITH STEEL RODS



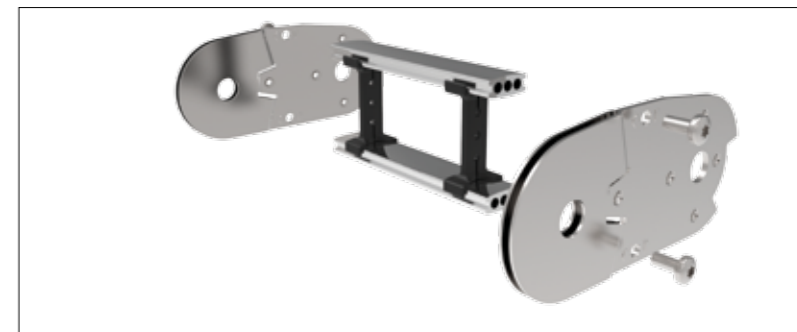
VERSION WITH ALUMINIUM COVERS



VERSION WITH ALUMINIUM DRAWPLATES



VERSION WITH CUSTOMISED CROSSPIECES



EXPLODED VIEW OF THE COMPONENTS



QR-Code frames with your camera and watch the video

# SLIDING